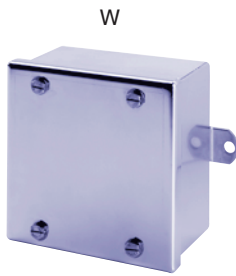


# Взрывозащищенные коробки выводов серии STB из высококачественной стали (без фланца)

**Зона 1/  
Зона 2  
Зона 21/  
Зона 22**



Y  
Коробка выводов STB 1

## Технические характеристики

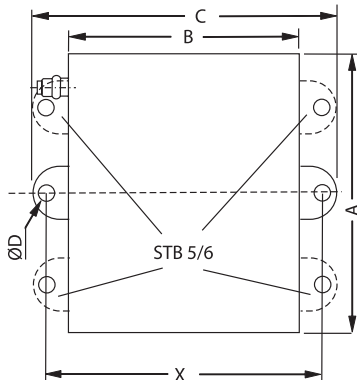
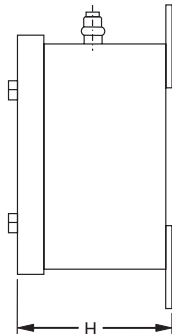
### Коробка STB

Обозначение по 94/9/EG	⊕ II 2 G   ⊕ II 2 D T100 °C
Вид защиты от воспламенения	EEx e IIC   T6 EEx ia IIC T6   EEx e [ia] IIC T6
Удостоверение соответствия (полное)	КЕМА 99 АТЕХ 7894 X
Удостоверение соответствия (частичное)	КЕМА 99 АТЕХ 7895 U
Вид защиты по EN 60529	IP 66
Номинальное напряжение	До 690 В
Материал корпуса	Высококачественная нержавеющая сталь 316 L (1.4404)
Допустимая наружная температура	от -55 °C до +55 °C

## Максимальное число зажимов типа WDU при установке дин-рейки (шины) типа TS35 вдоль оси W – Y

Коробка	Сечение зажимов, мм <sup>2</sup>				Длина шины с зажимами
	2,5	4	6	10	
STB 121208	8	–	–	–	1 X 54
STB 151208	13	11	8	7	1 X 82
STB 151509	13	11	8	7	1 X 82
STB 191509	21	18	13	10	1 X 122
STB 191910	21	18	13	10	1 X 122
STB 252512	31	26	19	15	2 X 172
STB 163812	55	46	34	28	1 X 292
STB 254013	31	26	19	15	3 X 172

Размеры в мм



## Максимальное количество отверстий для вводов при установке металлических вводов с контргайками на стороне W и Y

Коробка	M16		M20		M25		M32		M40		M50		M63	
	Сторона		Сторона		Сторона		Сторона		Сторона		Сторона		Сторона	
	W	Y	W	Y	W	Y	W	Y	W	Y	W	Y	W	Y
STB 121208	5	5	3	2	2	2	1	1	0	0	0	0	0	0
STB 151208	6	5	3	2	2	2	1	1	0	0	0	0	0	0
STB 151509	8	8	5	4	3	3	2	2	1	1	0	0	0	0
STB 191509	9	8	5	4	3	3	2	2	2	1	0	0	0	0
STB 191910	13	12	8	7	5	4	3	3	2	2	2	1	0	0
STB 252512	24	23	13	12	10	9	5	5	3	3	3	2	2	2
STB 163812	36	35	21	21	16	15	9	9	6	5	4	4	3	3
STB 254013	48	47	27	27	16	16	11	11	7	6	5	5	4	3

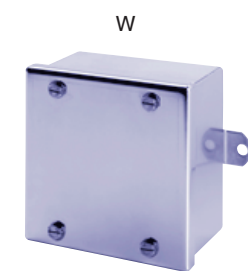
## Размеры в мм

Коробка	A	B	C	H	Ø	Крепление x	Масса, кг (примерно)
STB 121208	120	120	159	80	6	145	1,4
STB 151208	150	120	159	80	6	145	1,6
STB 151509	150	150	189	90	6	175	1,9
STB 191509	190	150	189	90	6	175	2,3
STB 191910	190	190	229	100	6	215	3,0
STB 252512	250	250	289	120	8	275	3,7
STB 163812	160	380	419	120	8	405	3,7
STB 254013	250	400	439	130	8	425	5,4

**Данные для заказа  
взрывозащищенных коробок  
выводов STB ..., NXT и GHG 74...  
из высококачественной стали**

**Зона 1/  
Зона 2  
Зона 21/  
Зона 22**

**Данные для заказа**



Y  
Коробка выводов STB 1



Y  
Коробка выводов NXT



Y  
Коробка выводов GHG 745 22

Тип	Отверстия/ Линейные вводы	Зажимы/исполнение РЕ-зажима	Номер заказа
STB 12 12	3 x Ø 16,5 мм 1 x Ø 21,0 мм	Резьбовой зажим Ex-e 6 x 2 x 2,5 мм <sup>2</sup> UK 3 N РЕ-зажим 6 x 2 x 4 мм <sup>2</sup>	STB 100 000 R0001
NXT 22 1513	С фланцем 4 x M20	Резьбовой зажим Ex-e 6 x 2 x 2,5 мм <sup>2</sup> UK 3 N РЕ-зажим 6 x 2 x 4 мм <sup>2</sup>	NXT S 22 15 13 R0001
STB 1515	6 x Ø 16,5 мм 1 x Ø 26,0 мм	Резьбовой зажим Ex-e 12 x 2 x 2,5 мм <sup>2</sup> UK 3 N РЕ-зажим 7 x 2 x 4 мм <sup>2</sup>	STB 200 000 R0001
NXT 26 2616	С фланцем 6 x M16 1 x M25	Резьбовой зажим Ex-e 12 x 2 x 2,5 мм <sup>2</sup> UK 3 N РЕ-зажим 7 x 2 x 4 мм <sup>2</sup>	NXT S 26 26 16 R0001
STB 19 19	12 x Ø 16,5 мм 1 x Ø 26,0 мм	Резьбовой зажим Ex-e 24 x 2 x 2,5 мм <sup>2</sup> UK 3 N РЕ-зажим 13 x 2 x 4 мм <sup>2</sup>	STB 300 000 R0001
NXT 26 26 20	С фланцем 12 x M16 1 x M32	Резьбовой зажим Ex-e 24 x 2 x 2,5 мм <sup>2</sup> UK 3 N РЕ-зажим 13 x 2 x 4 мм <sup>2</sup>	NXT S 26 26 20 R0001
STB 16 38	24 x Ø 16,5 мм 1 x Ø 41,0 мм	Резьбовой зажим Ex-e 48 x 2 x 2,5 мм <sup>2</sup> UK 3 N РЕ-зажим 25 x 2 x 4 мм <sup>2</sup>	STB 500 000 R0001
NXT 30 30 20	С фланцем 24 x M16 1 x M40	Резьбовой зажим Ex-e 48 x 2 x 2,5 мм <sup>2</sup> UK 3 N РЕ-зажим 25 x 2 x 4 мм <sup>2</sup>	NXT S 30 30 20 R0001
STB 25 40	30 x Ø 16,5 мм 1 x Ø 51,0 мм	Резьбовой зажим Ex-e 60 x 2 x 2,5 мм <sup>2</sup> UK 3 N РЕ-зажим 31 x 2 x 4 мм <sup>2</sup>	STB 600 000 R0001
NXT 45 38 20	С фланцем 30 x M16 1 x M50	Резьбовой зажим Ex-e 60 x 2 x 2,5 мм <sup>2</sup> UK 3 N РЕ-зажим 31 x 2 x 4 мм <sup>2</sup>	NXT S 45 38 20 R0001
GHG 744 21	1 фланец без отверстий	Ex-e винтовой зажим 1 x 2 x 2,5 мм <sup>2</sup> UK 3 N РЕ-зажим 7x 4 мм <sup>2</sup>	GHG 744 2101 R0001
GHG 745 22	1 фланец без отверстий	Ex-e винтовой зажим 1 x 2 x 2,5 мм <sup>2</sup> UK 3 N РЕ-зажим 14x 4 мм <sup>2</sup>	GHG 745 2201 R0001
GHG 746 23	2 фланца без отверстий	Ex-e винтовой зажим 1 x 2 x 2,5 мм <sup>2</sup> UK 3 N РЕ-зажим 2 x 14 x 4 мм <sup>2</sup>	GHG 746 2301 R0001
GHG 749 24	3 фланца без отверстий	Ex-e винтовой зажим 1 x 2 x 2,5 мм <sup>2</sup> UK 3 N РЕ-зажим 3 x 14 x 4 мм <sup>2</sup>	GHG 749 2401 R0001

# COOPER Crouse-Hinds

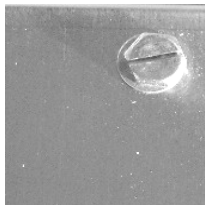
## STB STEEL ENCLOSURE RANGE

Cooper Crouse-Hinds are premier manufacturers of high quality and robust enclosure solutions and assemblies configured to meet the requirements of the most demanding hazardous area and industrial environmental applications. With over 30 years of experience in the design, engineering and manufacture of enclosure solutions, Cooper Crouse-Hinds provides, tried and tested solutions to meet the toughest project and installation needs.

The STB range is an "ATEX certified" heavy-duty junction box solution fully compliant with the impact, thermal and ingress protection requirements of EN50014. These are available in a wide range of sizes to meet a diverse range of applications.

With our customizing service fittings such as cable glands, breather drains and blanking plugs can be provided and fitted as specified. Additionally appropriately certified components such instrument transmitters and field-bus modules maybe fitted to provide fully certified OEM solutions.

Using the highest quality materials and design benefits the STB junction box range is the industry benchmark for quality and performance enclosure solutions for both electrical and instrumentation applications.



The retained stainless steel slotted hex bolt fastenings provide a rapid means of achieving high integrity ingress protection (IP) of 66 for reliable & rapid environmental protection.



A high integrity "single piece" sealing gasket for superior ingress protection (IP) of 66 and excellent recovery and re-sealing properties for continuous environmental protection.



Superior ingress protection is enhanced by the wide ingress sealing path of the junction box and the use of blind nutserts that eliminates any potential ingress from the lid fixing bolt.



An integral external & internal feed through brass earth / ground stud assembly enables rapid and reliable protective earth / ground connection mounted on the side of the enclosure for ease of access.

<b>Material / Finish</b>	316L Stainless Steel (1.4404 to EN 10088) with superior "corrosion resistant" electro chemically polishing.	
	Sheet Steel - Polyester powder coated to RAL 7032.	
<b>Gasket Material</b>	STB121208 – 252512 High integrity "one piece" solid chloroprene rubber. STB 163812 – 604022 High integrity "one piece" closed cell chloroprene sponge. Optional Silicone gasket available on all sizes.	
<b>Lid Fixing</b>	4 x M6 slotted hex head captive screws.	
<b>Enclosure Mounting</b>	121208 - 252512 = 2 x external welded lugs x 8mm Ø holes , 163812 - 254013 = 4 x external welded lugs x 8mm Ø holes. 383822 - 604022 = 4 x external welded lugs x 11mm Ø holes.	
<b>Equipment Mountings</b>	STB 121208 – 254013 internally welded TAS 20 rail for terminal mounting. STB 383822 – 604022 = 4 x stand off pillars 9mm Ø, 25mm high, tapped M6.	
<b>Gland Plates</b>	STB 383822 – 604022 optional 3mm thick gland plates available in bottom, top, left and right configurations.	
<b>Enclosure Earth</b>	M6 internal / external earth stud assembly, M10 for STB383822-604022.	
<b>Certified IP Rating</b>	P66 to EN 60529.	
<b>Operating Temp Range</b>	Chloroprene solid rubber gasket	-30°C (-22°F) to +95°C (203°F)
	Chloroprene closed cell sponge gasket	-45°C (-49°F) to +85°C (185°F)
	Silicone closed cell sponge gasket	-65°C (-85°F) to +135°C (275°F)
<b>Ambient Temp Range</b>	Chloroprene solid rubber gasket	-30°C (-22°F) to +40°C (104°F) T6 & -30°C (-22°F) to +55°C (131°F) T5.
	Chloroprene closed cell sponge gasket	-45°C (-49°F) to +40°C (104°F) T6 & -45°C (-49°F) to +55°C (131°F) T5.
	Silicone closed cell sponge gasket	-65°C (-85°F) to +40°C (104°F) for T6 & -65°C (-85°F) to +55°C (131°F) for T5.
<b>Impact Resistance</b>	7 J (Nm) to EN 50014.	
<b>Certification</b>	ATEX II 2GD EEx e II T6 or T5. (KEMA99ATEX7894X) GOST-R. cULus toUL50 / C22.2 no. 94-M91, types 3S, 4X. Germanischer Lloyd.	

Enclosure / terminal assemblies configured to meet clients specification within certification parameters.  
Refer to our website: [www.enclosures-crouse-hinds.uk.com](http://www.enclosures-crouse-hinds.uk.com) for further company & product information.

STB ENCLOSURE TECHNICAL DATA

REV. 0205

ENCLOSURE DIMENTIONS (HEIGHT X WIDTH X DEPTH)	120 x 120 x 80	150 x 120 x 80	150 x 150 x 90	190 x 150 x 90	190 x 190 x 100	250 x 250 x 120	160 x 380 x 120	250 x 400 x 130	380 x 380 x 220	380 x 380 x 220	400 x 600 x 220	400 x 600 x 220	600 x 400 x 220	600 x 400 x 220	
ENCLOSURE FIXING CENTRES (Vert x Horiz)	145	175	175	175	215	275	80 x 405	150 x 425	250 x 435	250 x 435	264 x 656	264 x 656	464 x 456	464 x 456	
CCH Part No.	STB121208	STB151208	STB151509	STB191509	STB191910	STB252512	STB163812	STB254013	STB3838220	STB3838223	STB4060220	STB4060223	STB6040220	STB6040223	
WEIDMULLER CROSS REFERENCE	STB 1	STB 1-1	STB 2	STB 2-1	STB 3	STB 4	STB 5	STB 6	STB 7	STB 7	STB 8	STB 8	STB 9	STB 9	
0, 1 or 3 Gland Plated Version	0 GP	0 GP	0 GP	0 GP	0 GP	0 GP	0 GP	0 GP	0 GP	3 GP	0 GP	3 GP	0 GP	3 GP	
MATERIAL THICKNESS	BODY LID	1.5 1.5	1.5 1.5	1.5 1.5	1.5 1.5	1.5 1.5	1.5 1.5	1.5 1.5	1.5 1.5	1.5 1.5	1.5 1.5	1.5 1.5	1.5 1.5	1.5 1.5	
WEIGHT in Kg (Empty)	1.4	1.6	1.9	2.3	3.0	3.7	3.7	5.4	8.5	11.8	13.0	16.5	13.0	16.5	
TERMINAL MOUNTING RAIL RAIL FIXING CENTRES	VERT	62	90	90	130	130	180	300 (Horiz. CRS)	180	280	280	300	300	500	500
OVERALL RAIL LENGTH	VERT	82	110	110	150	150	200	320	200	300	300	320	320	520	520
AVAILABLE GLANDING AREA	TOP & BOTTOM	114 x 63	114 x 63	144 x 73	144 x 73	184 x 83	244 x 103	372 x 103	394 x 113	374 x 203	337 x 124	594 x 203	504 x 124	394 x 203	337 x 124
	LEFT	114 x 63	144 x 63	144 x 73	184 x 73	184 x 83	244 x 103	154 x 103	244 x 113	374 x 203	337 x 124	394 x 203	337 x 124	594 x 203	337 x 124
	RIGHT	70 x 63	100 x 63	100 x 73	130 x 73	140 x 83	200 x 103	330 x 103	350 x 113	324 x 203	261 x 124	344 x 203	304 x 124	544 x 203	337 x 124
MAXIMUM ENTRIES															
	M16	7	7	9	9	18	32	50	54	100	46	164	70	108	46
	M20	3	3	6	6	8	18	29	30	57	26	93	39	60	26
	M25	2	2	3	3	7	10	15	16	40	21	65	32	40	21
TOP & BOTTOM	M32	2	2	2	2	3	7	12	13	24	11	40	17	26	11
	M40	0	0	2	2	2	3	5	6	15	9	26	14	17	9
	M50	0	0	0	0	2	3	4	5	8	4	14	6	9	4
	M63	0	0	0	0	0	2	3	4	6	3	11	5	7	3
	M16	7	9	9	12	18	32	20	32	100	46	108	46	164	46
	M20	3	3	6	8	8	18	11	18	57	26	60	26	93	26
	M25	2	3	3	4	7	10	6	10	40	21	40	21	65	21
LEFT	M32	2	2	2	3	3	7	4	7	24	11	26	11	40	11
	M40	0	0	2	2	2	3	2	3	15	9	17	9	26	9
	M50	0	0	0	0	2	3	1	3	8	4	9	4	14	4
	M63	0	0	0	0	0	2	1	2	6	3	7	3	11	3
	M16	4	6	6	8	14	26	44	48	88	34	92	40	152	46
	M20	1	2	4	6	6	14	24	26	48	20	51	23	84	26
	M25	1	2	2	2	5	8	14	14	33	15	35	18	60	21
RIGHT	M32	1	1	1	2	2	6	10	11	20	8	22	10	38	11
	M40	0	0	1	1	2	3	5	5	12	6	14	8	23	9
	M50	0	0	0	0	1	2	4	4	7	3	7	3	13	4
	M63	0	0	0	0	0	2	3	3	5	2	6	3	10	3
TERMINAL CONTENT															
Terminal Type (thickness)	Terminal Rail Orientation														
2.5mm sq. (6mm wide)	VERT	1 x 8	1 x 13	1 x 13	1 x 21	1 x 21	2 x 31	1 x 55 (Horiz. Row)	3 x 31	3 x 42	3 x 42	3 x 46	3 x 46	5 x 79	5 x 79
4mm sq. (6.5mm wide)	VERT	1 x 6	1 x 11	1 x 11	1 x 18	1 x 18	2 x 26	1 x 46 (Horiz. Row)	3 x 26	3 x 39	3 x 39	3 x 42	3 x 42	5 x 73	5 x 73
6mm sq. (8mm wide)	VERT	1 x 5	1 x 8	1 x 8	1 x 13	1 x 13	2 x 19	1 x 34 (Horiz. Row)	3 x 19	3 x 32	3 x 32	3 x 34	3 x 34	5 x 59	5 x 59
10mm sq. (10mm wide)	VERT	1 x 4	1 x 7	1 x 7	1 x 10	1 x 10	2 x 15	1 x 28 (Horiz. Row)	3 x 15	3 x 25	3 x 25	3 x 27	3 x 27	5 x 47	5 x 47

NOTES :-

- The information provided is based on the physical constraints of the enclosure. Please refer to the certificate for hazardous area applications.
- This information is for guidance purposes only. Cooper Crouse-Hinds UK Ltd reserves the right to make any necessary changes without notice

**STB ENCLOSURE TECHNICAL DATA**  
(Imperial)

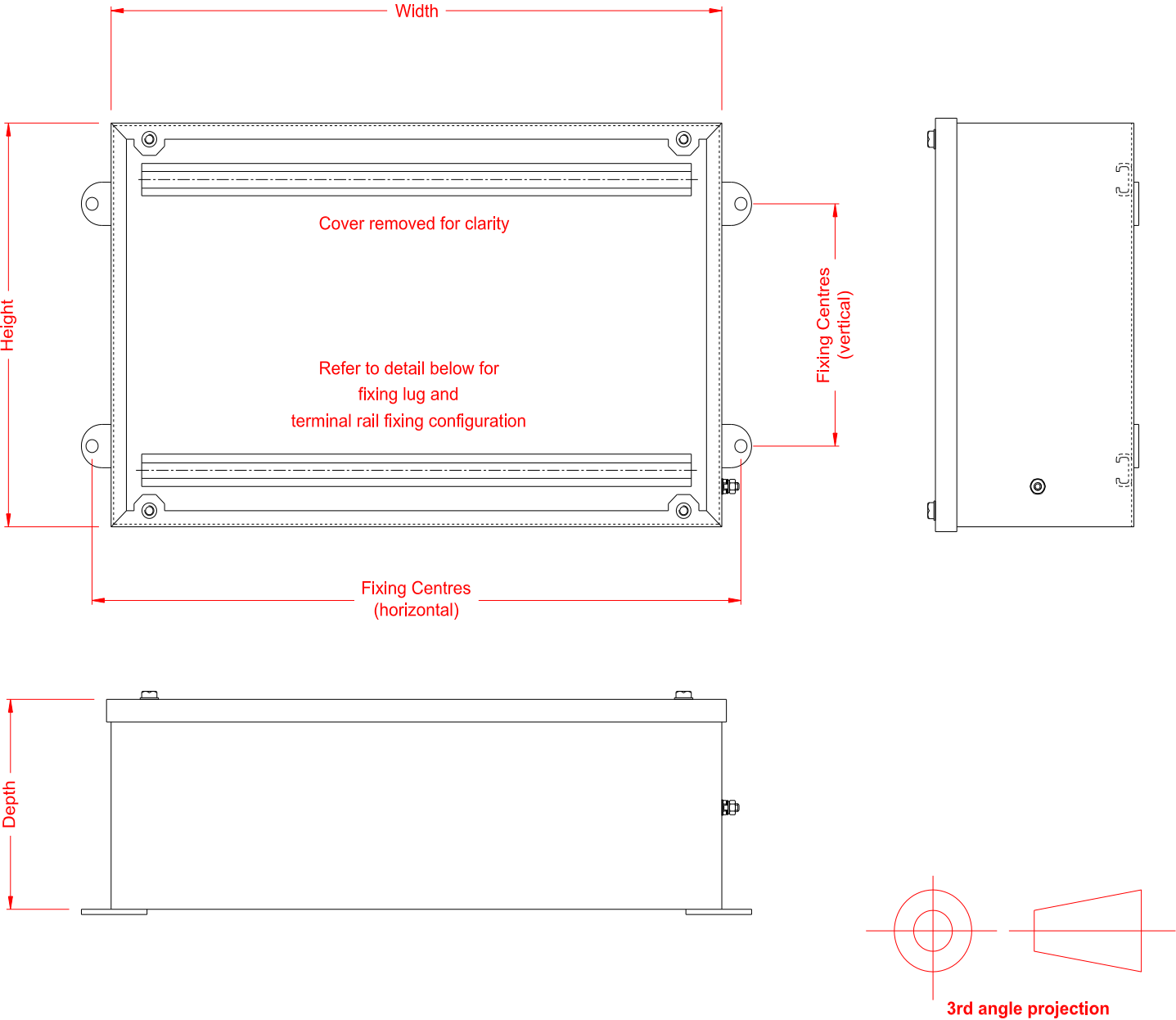
REV. 0205

ALL DIMENSIONS in INCHES (HEIGHT X WIDTH X DEPTH)	4.72 x 4.72 x 3.15	5.91 x 4.72 x 3.15	5.91 x 5.91 x 3.54	7.48 x 5.91 x 3.54	7.48 x 7.48 x 3.94	9.84 x 9.84 x 4.72	6.3 x 14.96 x 4.72	9.84 x 15.75 x 5.12	14.96 x 14.96 x 8.66	14.96 x 14.96 x 8.66	15.75 x 23.62 x 8.66	15.75 x 23.62 x 8.66	23.62 x 15.75 x 8.66	23.62 x 15.75 x 8.66	
ENCLOSURE FIXING CENTRES (Vert x Horiz)	5.71	6.89	6.89	6.89	8.46	10.83	3.15 x 15.94	5.91 x 16.73	9.84 x 17.13	9.84 x 17.13	10.39 x 25.83	10.39 x 25.83	18.27 x 17.95	18.27 x 17.95	
CCH Part No.	STB121208	STB151208	STB151509	STB191509	STB191910	STB252512	STB163812	STB254013	STB3838220	STB3838223	STB4060220	STB4060223	STB6040220	STB6040223	
WEIDMULLER CROSS REFERENCE	STB 1	STB 1-1	STB 2	STB 2-1	STB 3	STB 4	STB 5	STB 6	STB 7	STB 7	STB 8	STB 8	STB 9	STB 9	
0, 1 or 3 Gland Plated Version	0 GP	0 GP	0 GP	0 GP	0 GP	0 GP	0 GP	0 GP	0 GP	3 GP	0 GP	3 GP	0 GP	3 GP	
MATERIAL THICKNESS in mm															
BODY	1.5	1.5	1.5	1.5	1.5	1.5	1.5	1.5	1.5	1.5	1.5	1.5	1.5	1.5	
LID	1.5	1.5	1.5	1.5	1.5	1.5	1.5	1.5	1.5	1.5	1.5	1.5	1.5	1.5	
WEIGHT in Lbs (Empty)	3.08	3.52	4.18	5.06	6.60	8.14	8.14	11.88	18.70	25.96	28.60	36.30	28.60	36.30	
TERMINAL MOUNTING RAIL															
RAIL FIXING CENTRES	VERT 2.44	3.54	3.54	5.12	5.12	7.09		11.81	7.09	11.02	11.02	11.81	11.81	19.69	19.69
OVERALL RAIL LENGTH	VERT 3.23	4.33	4.33	5.91	5.91	7.87	(Horiz. CRS) 12.60	7.87	11.81	11.81	12.60	12.60	20.47	20.47	
AVAILABLE GLANDING AREA															
TOP & BOTTOM	4.49 x 2.48	4.49 x 2.48	5.67 x 2.87	5.67 x 2.87	7.24 x 3.27	9.61 x 4.06	14.65 x 4.06	15.51 x 4.45	14.72 x 7.99	13.27 x 4.88	23.39 x 7.99	19.84 x 4.88	15.51 x 7.99	13.27 x 4.88	
LEFT	4.49 x 2.48	5.67 x 2.87	5.67 x 2.87	7.24 x 2.87	7.24 x 3.27	9.61 x 4.06	6.06 x 4.06	9.61 x 4.45	14.72 x 7.99	13.27 x 4.88	15.51 x 7.99	13.27 x 4.88	23.39 x 7.99	13.27 x 4.88	
RIGHT	2.76 x 2.48	3.94 x 2.48	3.94 x 2.87	5.12 x 2.87	5.51 x 3.27	7.87 x 4.06	12.99 x 4.06	13.78 x 4.45	12.76 x 7.99	10.28 x 4.88	13.54 x 7.99	11.97 x 4.88	21.42 x 7.99	13.27 x 4.88	
MAXIMUM ENTRIES	gland / hub	gland / hub	gland / hub	gland / hub	gland / hub	gland / hub	gland / hub	gland / hub	gland / hub	gland / hub	gland / hub	gland / hub	gland / hub	gland / hub	
1/2" NPT	6 / 2	6 / 2	8 / 3	8 / 3	17 / 8	23 / 11	36 / 17	50 / 27	84 / 43	42 / 23	137 / 70	64 / 36	88 / 45	42 / 23	
3/4" NPT	3 / 2	3 / 2	6 / 3	6 / 3	9 / 3	18 / 9	29 / 15	30 / 16	57 / 30	26 / 13	93 / 48	39 / 20	60 / 32	26 / 13	
1" NPT	2 / 2	2 / 2	3 / 2	3 / 2	7 / 3	10 / 8	16 / 12	17 / 13	40 / 24	21 / 11	65 / 42	33 / 17	43 / 26	21 / 11	
TOP & BOTTOM	1 1/4" NPT	2 / 0	2 / 0	2 / 2	3 / 2	7 / 3	12 / 5	13 / 6	24 / 15	11 / 9	40 / 26	17 / 14	26 / 17	11 / 9	
1 1/2" NPT	0 / 0	0 / 0	2 / 0	2 / 0	2 / 2	3 / 3	5 / 5	6 / 5	15 / 14	9 / 4	26 / 23	14 / 6	17 / 14	9 / 4	
2" NPT	0 / 0	0 / 0	0 / 0	0 / 0	2 / 0	3 / 2	4 / 4	5 / 4	8 / 7	4 / 3	14 / 12	6 / 5	9 / 8	4 / 3	
2 1/2" NPT	0 / 0	0 / 0	0 / 0	0 / 0	0 / 0	2 / 2	3 / 3	4 / 4	6 / 6	3 / 3	11 / 11	5 / 5	7 / 7	3 / 3	
LEFT	1/2" NPT	6 / 2	8 / 3	8 / 3	11 / 4	17 / 8	23 / 11	14 / 6	30 / 17	84 / 43	42 / 23	88 / 45	42 / 23	137 / 70	42 / 23
3/4" NPT	3 / 2	3 / 3	6 / 3	9 / 3	9 / 3	18 / 9	11 / 5	18 / 9	57 / 30	26 / 13	60 / 32	26 / 13	93 / 48	26 / 13	
1" NPT	2 / 2	3 / 2	3 / 2	4 / 3	7 / 3	10 / 8	6 / 4	10 / 8	40 / 24	21 / 11	43 / 26	21 / 11	65 / 42	21 / 11	
1 1/4" NPT	2 / 0	2 / 0	2 / 2	3 / 2	3 / 2	7 / 3	4 / 2	7 / 3	24 / 15	11 / 9	26 / 17	11 / 9	40 / 26	11 / 9	
1 1/2" NPT	0 / 0	0 / 0	2 / 0	2 / 0	2 / 2	3 / 3	2 / 2	3 / 3	15 / 14	9 / 4	17 / 14	9 / 4	26 / 23	9 / 4	
2" NPT	0 / 0	0 / 0	0 / 0	0 / 0	2 / 0	3 / 2	1 / 1	3 / 2	8 / 7	4 / 3	9 / 8	4 / 3	14 / 12	4 / 3	
2 1/2" NPT	0 / 0	0 / 0	0 / 0	0 / 0	0 / 0	2 / 2	1 / 1	2 / 2	6 / 6	3 / 3	7 / 7	3 / 3	11 / 11	3 / 3	
RIGHT	1/2" NPT	3 / 1	5 / 2	5 / 2	7 / 3	12 / 6	18 / 9	29 / 15	44 / 24	70 / 38	32 / 18	77 / 40	38 / 21	123 / 65	42 / 23
3/4" NPT	1 / 1	2 / 2	4 / 2	6 / 2	6 / 3	14 / 7	23 / 13	27 / 14	48 / 26	20 / 10	51 / 26	23 / 12	84 / 44	26 / 13	
1" NPT	1 / 1	2 / 1	2 / 1	2 / 2	5 / 2	8 / 6	12 / 11	15 / 11	33 / 22	15 / 8	35 / 22	18 / 10	58 / 38	21 / 11	
1 1/4" NPT	1 / 0	1 / 0	1 / 1	2 / 2	2 / 2	6 / 3	9 / 5	11 / 5	20 / 14	8 / 7	22 / 14	10 / 8	36 / 24	11 / 9	
1 1/2" NPT	0 / 0	0 / 0	1 / 0	1 / 0	2 / 1	3 / 2	4 / 4	5 / 4	12 / 11	6 / 3	14 / 12	8 / 4	23 / 20	9 / 4	
2" NPT	0 / 0	0 / 0	0 / 0	0 / 0	1 / 0	2 / 2	3 / 3	4 / 4	7 / 6	3 / 3	7 / 7	3 / 3	13 / 11	4 / 3	
2 1/2" NPT	0 / 0	0 / 0	0 / 0	0 / 0	0 / 0	2 / 2	3 / 3	3 / 3	5 / 5	2 / 2	6 / 5	3 / 3	10 / 10	3 / 3	
TERMINAL CONTENT															
Terminal Type (thickness)	Terminal Rail Orientation														
2.5mm sq. (6mm wide)	VERT	1 x 8	1 x 13	1 x 13	1 x 21	1 x 21	2 x 31	1 x 55 (Horiz. Row)	3 x 31	3 x 42	3 x 42	3 x 46	3 x 46	5 x 79	5 x 79
4mm sq. (6.5mm wide)	VERT	1 x 6	1 x 11	1 x 11	1 x 18	1 x 18	2 x 26	1 x 46 (Horiz. Row)	3 x 26	3 x 39	3 x 39	3 x 42	3 x 42	5 x 73	5 x 73
6mm sq. (8mm wide)	VERT	1 x 5	1 x 8	1 x 8	1 x 13	1 x 13	2 x 19	1 x 34 (Horiz. Row)	3 x 19	3 x 32	3 x 32	3 x 34	3 x 34	5 x 59	5 x 59
10mm sq. (10mm wide)	VERT	1 x 4	1 x 7	1 x 7	1 x 10	1 x 10	2 x 15	1 x 28 (Horiz. Row)	3 x 15	3 x 25	3 x 25	3 x 27	3 x 27	5 x 47	5 x 47

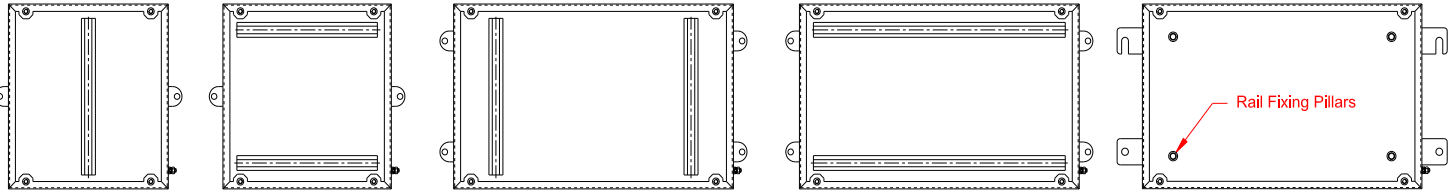
NOTES : -

- The information provided is based on the physical constraints of the enclosure. Please refer to the certificate for hazardous area applications.
- This information is for guidance purposes only. Cooper Crouse-Hinds UK Ltd reserves the right to make any necessary changes without notice

# STB Range Enclosure - General Arrangement



## Fixing Lug and Rail / Pillar Configuration (not to scale)



STB 121208 - 191910  
(STB 1 - 3)

STB 252512  
(STB 4)

STB 163812  
(STB 5)

STB 254013  
(STB 6)

STB 383822 - 406022  
(STB 7 - 9)  
Gland Plate Options Available